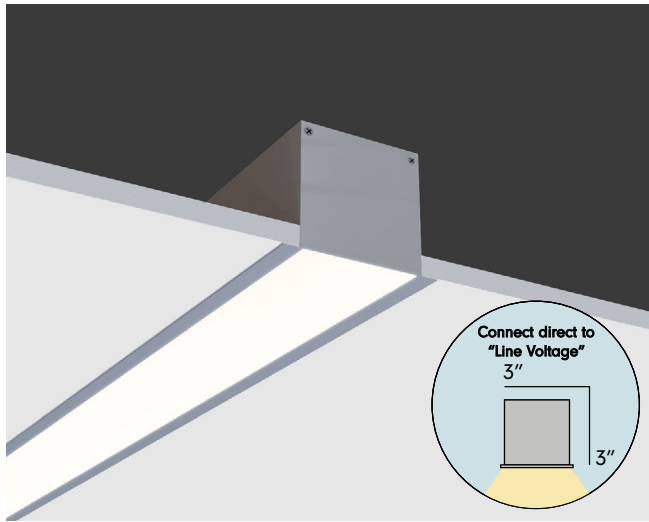


Linear LED Fixture Spec Sheet



Our **LVLBY33** is a **3 Inch Wide Trimmed Flush Mounted (Recess) Linear Light Fixture**. It is available 2, 4, 6, and 8ft standard sizes (Contact-Us for Custom Sizes) and conveniently available in either **684 or 1,243 lumens/ft** light outputs making it suitable for any commercial lighting application. Our **LVLBY33** can easily be recessed in any ceiling type and accepts universal 120-277 or 347VAC Input Voltage. It is conveniently available in three standard color temperatures: 3000K, 4000K, or 5000K making it adaptable with any residential, office, retail, or commercial hospitality space.

Features

- **120VDC - 277VDC or 347VAC** Input.
- Flange **conceals** any rough cuts in wood and drywall.
- 0-10V **Dimmable** (with Dimmable Driver).
- 80+ **CRI** Standard, 90+ available.
- High Quality Look and Build.
- Made in the **USA** Quick Ship!
- **UL-Listed**.

Typical Lumen Table

Product Size	SO	HO
2ft	1,281 LM / 19W	1,831LM / 25W
4ft	2,455 LM / 36W	3,509 LM / 48W
6ft	3,630 LM / 53W	5,188 LM / 71W
8ft	4,804 LM / 70W	6,866 LM / 93W

*Based on standard sizes with 4000K Color Temperature

Specifications	
Part#	LVLBY33-XX-YY-ZZ
Sizes	2ft, 4ft, 6ft, 8ft, Custom
Input Voltage	120-277 VAC, or 347 VAC
Light Output	SO: 641 Lumens/ft HO: 916 Lumens/ft
Efficiency	70 Lumens/Watt, 74 Lumens/Watt
Color Rendering	>80 CRI, >90 CRI
Environment	Dry or Damp Location
Warranty	5-Year
Lifetime	70,000+Hours
Listings	UL-Listed
Dimming	0-10V Dimmable, Phase/TRIAC
Light Distribution	Down Light

*[XX] denotes color temperature

Available Colors

2300K
Amber White

2700K
Incandescent White

3000K
Warm White

4000K
Natural White

5000K
Bright White

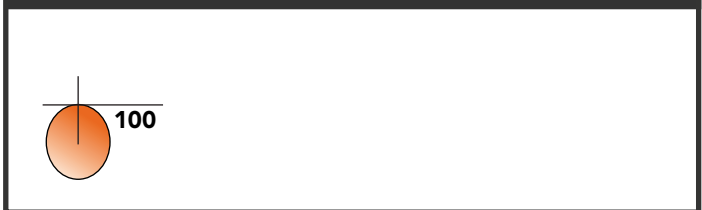
CCT
2700K - 5000K
Tunable White

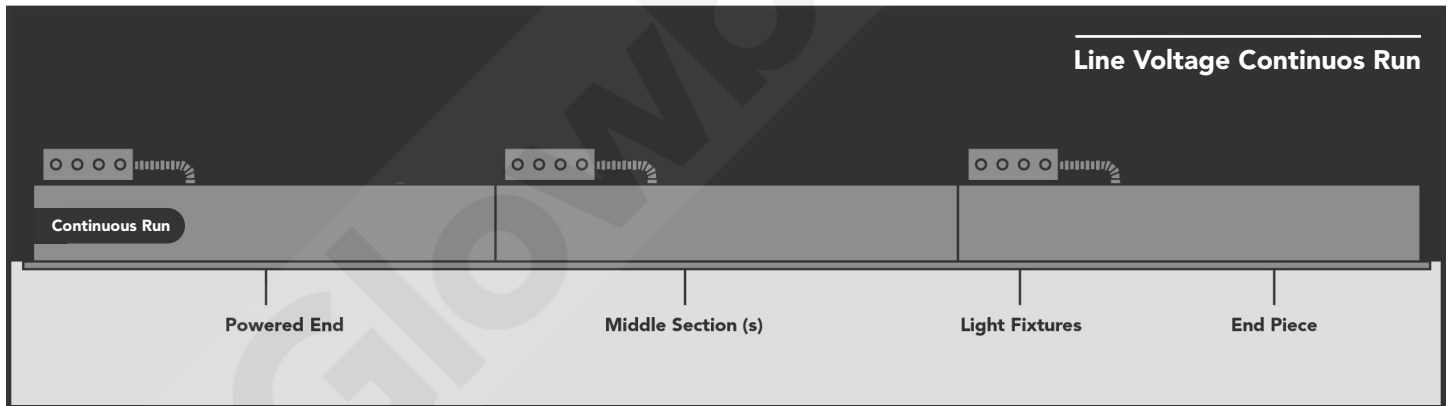
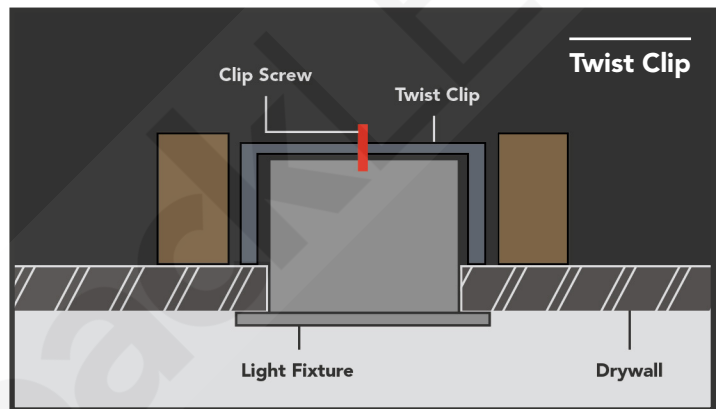
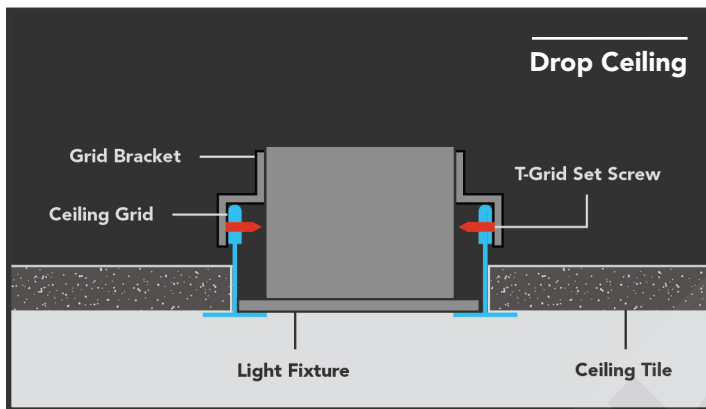
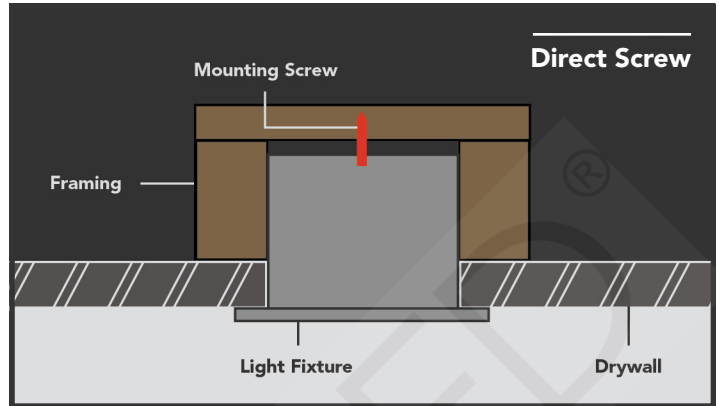
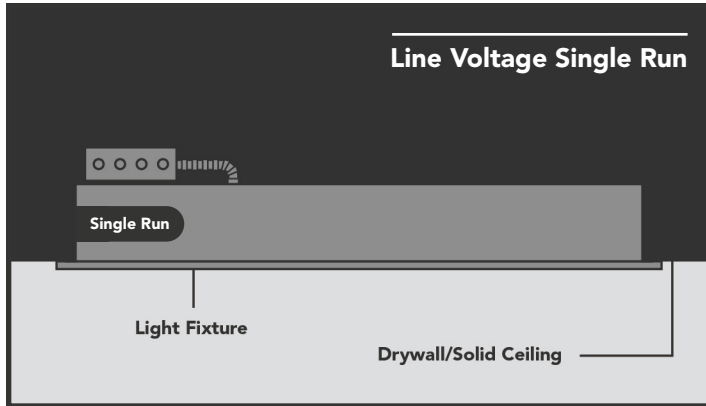
RGB + 2700K
Color Changing + Warm White

RGB + 5000K
Color Changing + Bright White

*Custom Available Upon Request

Light Distribution



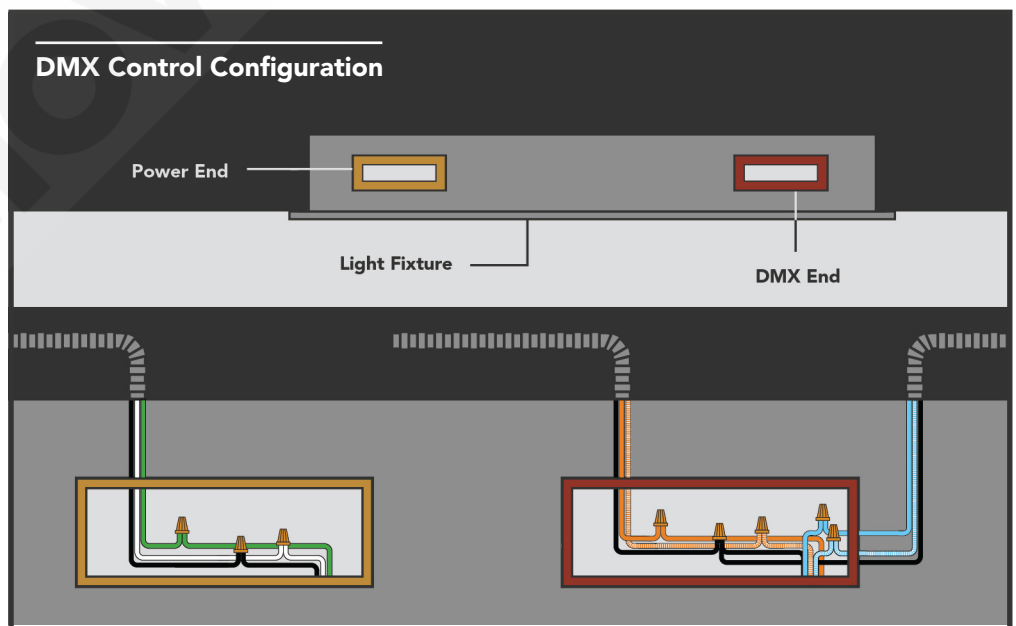
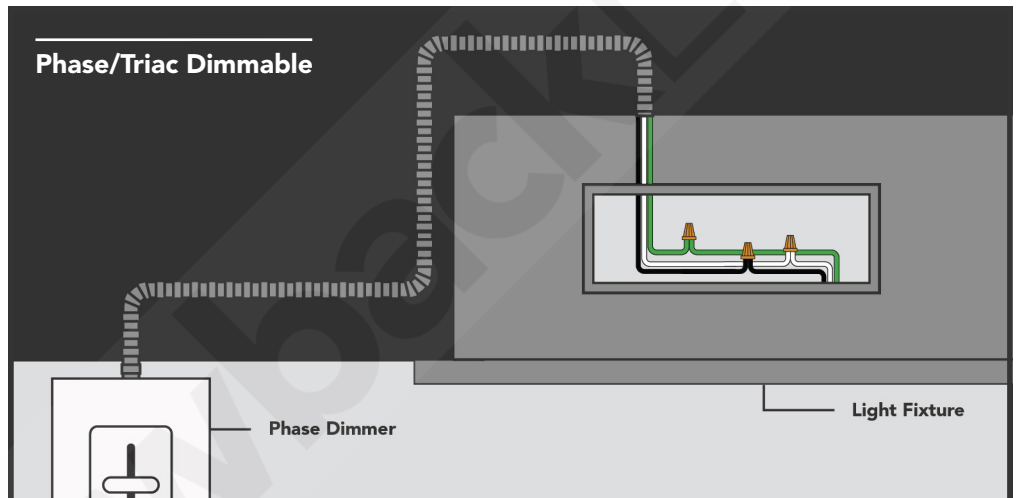
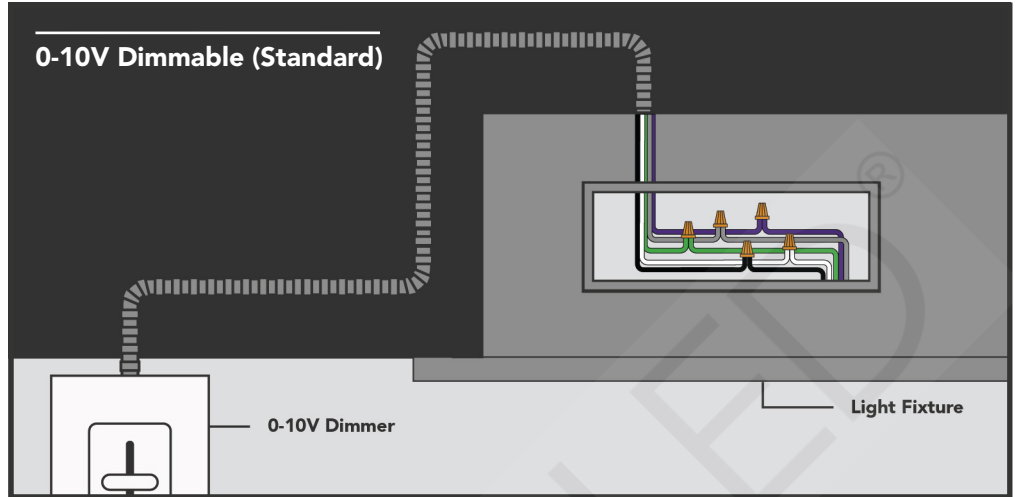


Standard Shapes			Custom Shapes				
L Configuration	Rectangle/Square Configuration	U Configuration	X Configuration	T Configuration	Hexagon Configuration	Triangle Configuration	Linear Abstract Configuration

*More custom shapes are available upon request

Master Product Code Builder

Prefix	LVLB
Profile	Y33
Output	
641 Lumens/ft	SO
916 Lumens/ft	HO
Size	
2ft	24
4ft	46
6ft	68
8ft	90
Custom	enter in inches
Continuous	CR
Custom Shape	CS
Color	
2300K	AW
2700K	IW
3000K	WW
4000K	NW
5000K	BW
Custom	enter CCT value
RGB+5000K	RGBW
RGB+2700K	RGBWW
Tunable White	CCT
CRI	
80+	80
90+	90
95+	leave blank
Mount Type	
Direct Screw	A
Drop Ceiling	B
Twist Clip	C
Voltage	
120-277VAC	leave blank
347VAC	347
Dimming/Control	
0-10V	leave blank
Phase/TRIAC	TRIAC
DMX	DMX
Emergency	
None	leave blank
EM Back Up	EM* 4ft min for EM
Run Type	
Single	leave blank
C/R Powered End	CRP
C/R Middle	CRM
C/R End Piece	CRE
NA	leave blank
Shapes	
NA	leave blank



Project Name

Ordering Form

QTY	LVLBY33	Output	Size	Color	CRI	Mount Type	Voltage	Dimming/Control	Emergency	Run Type	Shapes	Project Fixture Type
	LVLBY33	50	90	WW	90	A						ST-5
	LVLBY33											
	LVLBY33											
	LVLBY33											
	LVLBY33											
	LVLBY33											
	LVLBY33											
	LVLBY33											
	LVLBY33											
	LVLBY33											
	LVLBY33											
	LVLBY33											
	LVLBY33											
	LVLBY33											
	LVLBY33											
	LVLBY33											
	LVLBY33											
	LVLBY33											
	LVLBY33											
	LVLBY33											
	LVLBY33											
	LVLBY33											
	LVLBY33											
	LVLBY33											
	LVLBY33											
	LVLBY33											
	LVLBY33											
	LVLBY33											

Custom Configuration Notes